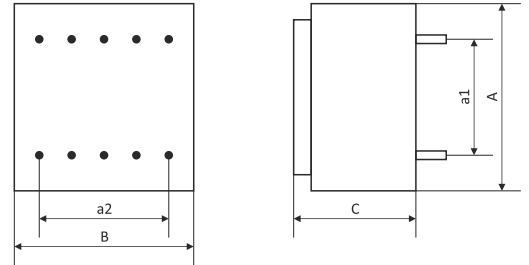
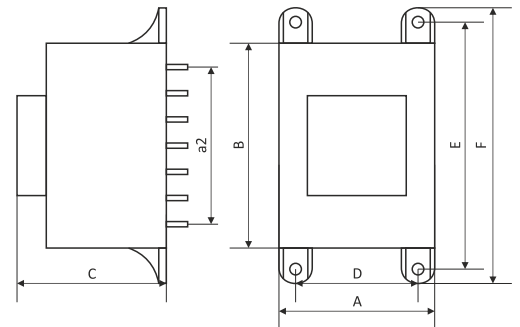




TEZ 0,5 - 16



TEZ 20 - 50



Pin spacing on the page 2.

Rated power: **0,5 - 50VA**  
 Rated voltage PRI: **24 - 500V 50/60Hz**  
 Rated voltage SEC: **6 - 500V**

Transformers for printed circuit boards designed mainly for building into power supply systems of electronic devices. They feature small dimensions, compact build and increased resistance for mechanical and climate factors (cast resin). The transformers are made at IP00 protection grade, maximum ambient temperature 40°C or 60°C, thermal class of insulation B (130°C). Manufactured in compliance with EN61558-2-1, EN61558-2-4, EN61558-2-6.

BREVE received the **ENEC certificate** for TEZ transformers with the following parameters:

Rated power: **0,5 - 50VA**  
 Rated voltage PRI: **24V - 400V** (TEZ 0,5 - 1,5VA: **24V - 230V**)  
 No load volatage SEC: **<50V**  
 Short circuit resistance for TEZ 0,5 - 3,0VA.

For TEZ 4,0/D and TEZ 6,0/D products BREVE also received the **VDE certificate**:

Rated power: **4VA and 6VA**  
 Rated voltage PRI: **24V - 400V**  
 No load volatage SEC: **<50V**  
 Non-resistant and safety.

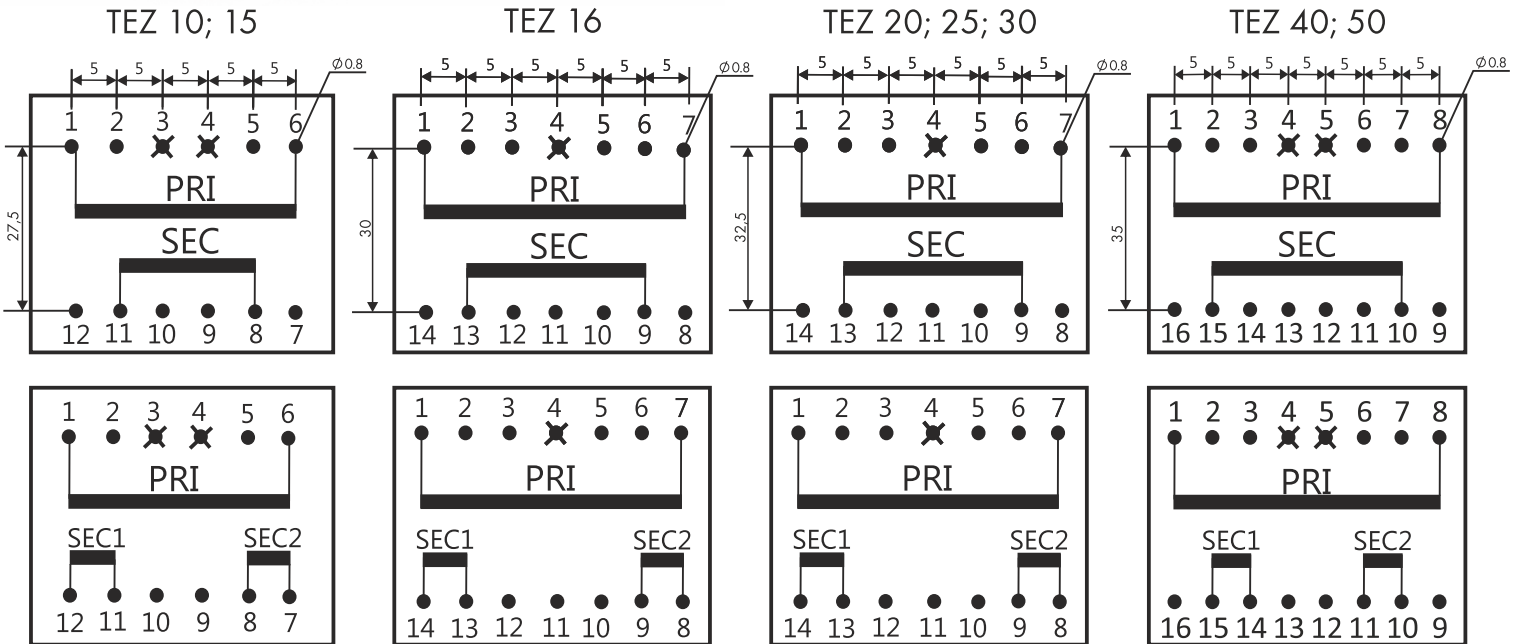
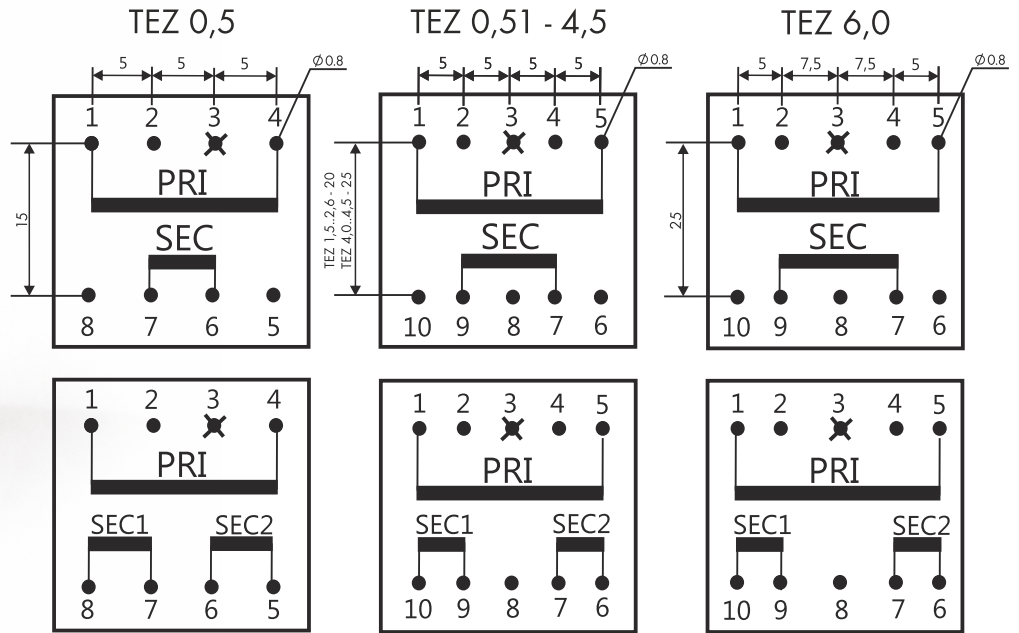
\*tolerance ± 0,4mm

| Type       | Core type | Power | ta   | Dimensions [mm]* |      |      |      |    |      |      |      | Weight [kg] |
|------------|-----------|-------|------|------------------|------|------|------|----|------|------|------|-------------|
|            |           | [VA]  | [°C] | A                | B    | C    | a1   | a2 | D    | E    | F    |             |
| TEZ 0,5/D  | EE20      | 0,5   | 60   | 22               | 24   | 19   | 15   | 15 | -    | -    | -    | 0,036       |
| TEZ 0,51/D | EI30      | 0,5   | 60   | 28               | 33   | 15   | 15   | 15 | -    | -    | -    | 0,044       |
| TEZ 1,0/D  | EI30      | 1,0   | 60   | 28               | 33   | 22   | 20   | 20 | -    | -    | -    | 0,07        |
| TEZ 1,5/D  | EI30      | 1,5   | 60   | 28               | 33   | 22   | 20   | 20 | -    | -    | -    | 0,07        |
| TEZ 1,8/D  | EI30      | 1,8   | 40   | 28               | 33   | 22   | 20   | 20 | -    | -    | -    | 0,07        |
| TEZ 2,0/D  | EI30      | 2,0   | 60   | 28               | 33   | 24   | 20   | 20 | -    | -    | -    | 0,09        |
| TEZ 2,5/D  | EI30      | 2,5   | 40   | 28               | 33   | 27   | 20   | 20 | -    | -    | -    | 0,10        |
| TEZ 2,6/D  | EI30      | 2,5   | 60   | 28               | 33   | 30   | 20   | 20 | -    | -    | -    | 0,12        |
| TEZ 3,0/D  | EI30      | 3,0   | 40   | 28               | 33   | 30   | 20   | 20 | -    | -    | -    | 0,12        |
| TEZ 4,0/D  | EI38      | 4,0   | 60   | 35               | 42   | 29   | 25   | 20 | -    | -    | -    | 0,15        |
| TEZ 4,5/D  | EI38      | 4,5   | 60   | 35               | 42   | 29   | 25   | 20 | -    | -    | -    | 0,15        |
| TEZ 6,0/D  | EI42      | 6,0   | 60   | 38               | 45   | 32   | 25   | 25 | -    | -    | -    | 0,20        |
| TEZ 10,0/D | EI48      | 10,0  | 60   | 44               | 52   | 35   | 27,5 | 25 | -    | -    | -    | 0,28        |
| TEZ 15,0/D | EI48      | 15,0  | 60   | 44               | 52   | 41,5 | 27,5 | 25 | -    | -    | -    | 0,35        |
| TEZ 16,0/D | EI54      | 16,0  | 60   | 47               | 57   | 39   | 30   | 30 | -    | -    | -    | 0,42        |
| TEZ 20,0/D | EI60      | 20,0  | 60   | 53,8             | 63,6 | 47,2 | 32,5 | 30 | 43,5 | 72,5 | 81,7 | 0,60        |
| TEZ 22,0/D | EI54      | 22,0  | 60   | 47,3             | 56,4 | 47,4 | 30   | 30 | 37,5 | 65   | 74   | 0,55        |
| TEZ 25,0/D | EI60      | 25,0  | 60   | 53,8             | 63,6 | 51,5 | 32,5 | 30 | 43,5 | 72,5 | 81,7 | 0,70        |
| TEZ 30,0/D | EI60      | 30,0  | 60   | 53,8             | 63,6 | 56,5 | 32,5 | 30 | 43,5 | 72,5 | 81,7 | 0,80        |
| TEZ 40,0/D | EI66      | 40,0  | 60   | 61               | 70   | 50   | 35   | 35 | 47,5 | 77,5 | 88   | 0,80        |
| TEZ 50,0/D | EI66      | 50,0  | 60   | 61               | 70   | 61   | 35   | 35 | 47,5 | 77,5 | 88   | 1,00        |

Pin spacing for individual types of TEZ transformers:



Example of identification of pinouts order based on TEZ 10.



| Type                                   | Typical leads |         |                  |
|--|---------------|---------|------------------|
|  | PRI           | 1xSEC   | 2xSEC            |
| TEZ 0,5                                | 1 - 4         | 6 - 7   | 5 - 6, 7 - 8     |
| TEZ 0,51 / 1,5 / 1,8 / 2,0 / 2,5 / 2,6 | 1 - 5         | 7 - 9   | 6 - 7, 9 - 10    |
| TEZ 3,0 / 4,0 / 4,5 / 6,0              | 1 - 5         | 7 - 9   | 6 - 7, 9 - 10    |
| TEZ 10,0 / 15,0                        | 1 - 6         | 8 - 11  | 7 - 8, 11 - 12   |
| TEZ 16,0 / 20,0 / 25,0 / 30,0          | 1 - 7         | 9 - 13  | 8 - 9, 13 - 14   |
| TEZ 40,0 / 50,0                        | 1 - 8         | 10 - 15 | 10 - 11, 14 - 15 |

Suggested hole for pins in the PCB board: 1,2mm.