



The SELV socket-outlets are 16A 2-pole safety extra-low voltage (up to 50 V) socket-outlets for use on appliances and devices. Standard voltages for socket-outlets are 6, 12, 24 and 48V ac. The socket-outlets are equipped with a groove coding to prevent the use of a plug not complying with the socket voltage.

The SELV plugs are 16A 2-pole plugs for use with safety extra-low voltage socket-outlets. Standard voltages for plugs are 6, 12, 24 and 48V ac. The plugs are equipped with a ribbed coding to prevent being used with socket-outlet not complying with the plug's voltage.

Socket-outlets and plugs are intended for use with portable, encased transformers PFS, power supplies and electrical systems on boats and camping cars. Manufactured in compliance with EN60884-2-4.

**Rated voltages:** 6; 12; 24; 48 V AC

**Maximum current:** 16 A

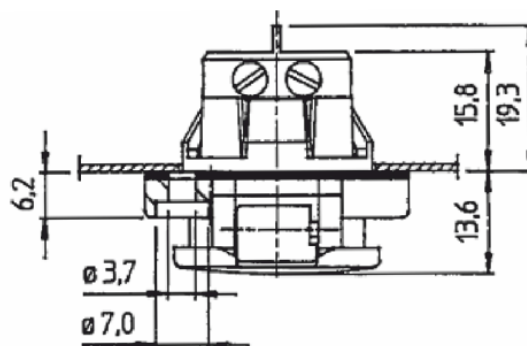
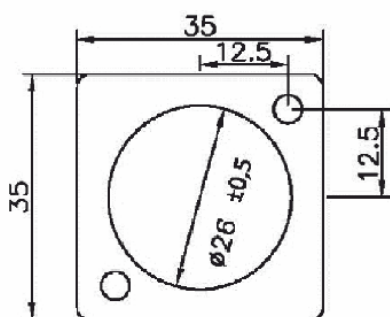
**Enclosure class:** IP44

**Wire couplings:** 4 mm<sup>2</sup> (single wire) or 2,5 mm<sup>2</sup> (if chaining is used)

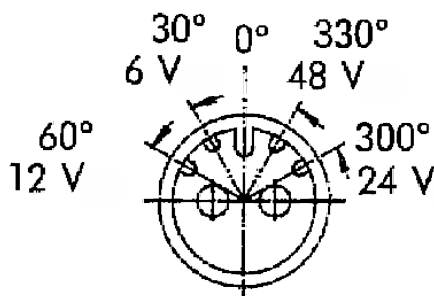
**Weight:** 0,02 kg



## SOCKET-OUTLET SELV



## SELV PLUG



As a result of constant development of product construction and changes concerning technical requirements, Breve Tufvassons reserves the right to change the parameters mentioned above.

