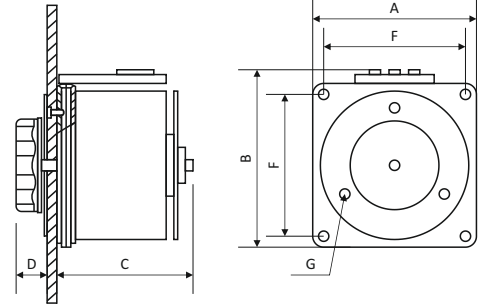
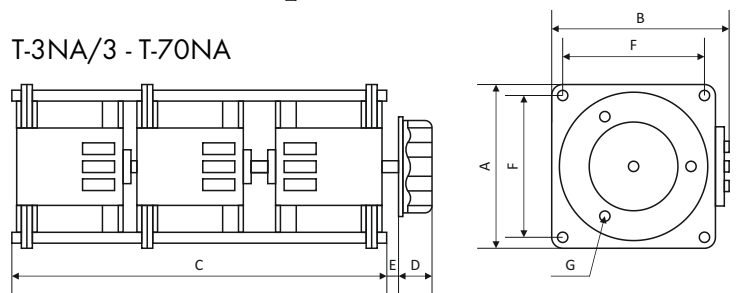




V-3NA - V-70NA



T-3NA/3 - T-70NA



Rated voltage PRI: **230V**
 Rated voltage SEC: **0 - 260V**
 Frequency: **50 - 400Hz**
 Output current: **1; 2,8; 5; 6,5; 12A**

Regulating autotransformers, open build (NA type) or encased (NC type), single- (type V) or three-phase (type T), designed for stepless adjustment of output voltage in installations and industrial or power engineering devices. The transformers are made with Class I insulation and protection grade IP00 or IP20, maximum ambient temperature 40°C, thermal class of insulation B (130°C), manufactured in compliance with EN61558-2-14.

Type	Current	Max current	Dimensions [mm]							Weight [kg]
	[A]	[A]	A	B	C	D	E	F	G	
V-3NA	2	2,2	105	115	110	25	x	85	M5	2,8
V-5NA	3,6	4,1	125	140	115	25	x	100	M5	4,5
V-10NA	9	10,8	160	175	125	35	x	133	M6	6,7
V-20NA	14	17	200	220	130	40	x	158	M8	12,0
V-40NA	20	25	230	260	130	40	x	184	M8	18,0
V-70NA	32	40	330	360	130	40	x	273	M10	35,0

Type	Current	Max current	Dimensions [mm]							Weight [kg]
	[A]	[A]	A	B	C	D	E	F	G	
T-3NA/3	2	2,2	105	115	350	25	32	85	M5	9,0
T-5NA/3	3,6	4,1	125	140	385	25	32	100	M5	13,0
T-10NA/3	9	10,8	160	175	400	35	42	133	M6	22,0
T-20NA/3	14	17	200	220	435	40	42	158	M8	39,0
T-40NA/3	20	25	230	260	450	40	42	184	M8	51,0
T-70NA/3	32	40	330	350	490	57	42	273	M10	107,0