

THREE-PHASE, SINGLE-CHAMBER TRANSFORMERS, IP00, 1-100kVA

T3M



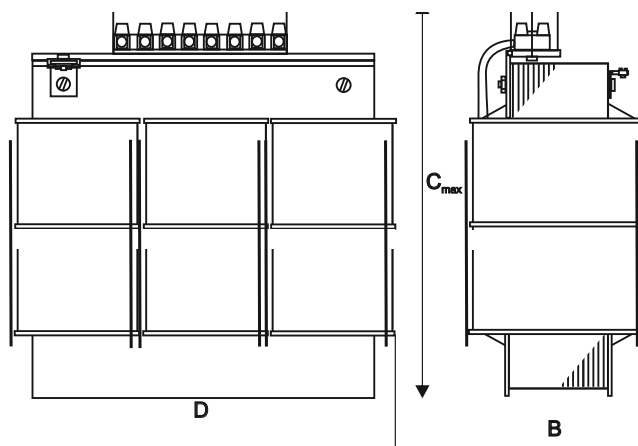
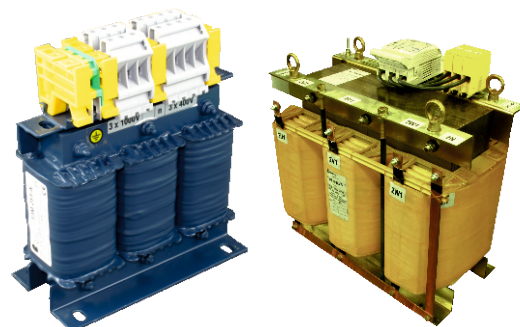
Opened build of general purpose transformers for building into installations and industrial or power engineering devices. The transformers are made with Class I insulation and protection grade IP00, maximum ambient temperature 40°C, thermal class of insulation B (130°C) or F (155°C). Depending on the size and power, winding is made of copper or aluminium. Manufactured in compliance with EN 61558/60076.

Rated power: 1 - 100kVA

Rated voltage PRI: 110 - 1000 V 50/60 Hz

Rated voltage SEC: 24 - 500V

Short circuit voltage: <4%



Type	Power [kVA]	Dimensions [mm]					Insulation class	Mounting	Weight [kg]
		A	B	Cmax	D	E			
T3M 1002	1,00	190	102	180	170	78	B	8x12	9,80
T3M 1502	1,50	230	90	225	176	71	B	9x13	14,00
T3M 2002	2,00	230	114	225	176	95	B	9x13	19,30
T3M 2502	2,50	265	120	255	200	90	B	10x18	24,80
T3M 3202	3,20	265	132	260	200	102	B	10x18	29,60
T3M 4002	4,00	300	135	290	224	107	B	10x18	35,00
T3M 5002	5,00	300	147	290	224	119	B	10x18	42,00
T3M 6302	6,30	360	153	380	264	127	B	10x18	53,00
T3M 8002	8,00	360	168	380	264	142	B	10x18	64,00
T3M 10002	10,00	420	173	430	316	143	B	13x20	85,00
T3M 16002	16,00	420	188	430	316	158	F	13x20	103,00
T3M 20002	20,00	420	233	430	316	203	F	13x20	120,00
T3M 25002	25,00	420	233	430	316	203	F	13x20	125,00
T3M 30002	30,00	480	220	480	356	184	F	13x20	180,00
T3M 35002	35,00	480	220	480	356	184	F	13x20	188,00
T3M 40002	40,00	600	290	600	450	190	F	14x20	225,00
T3M 50002	50,00	600	310	600	450	210	F	14x20	263,00
T3M 63002	63,00	600	330	600	450	230	F	14x20	295,00

Because of the constant development of product construction and changes concerning technical requirements, Breve-Tufvassons Company reserves the right to change the parameters mentioned above.

