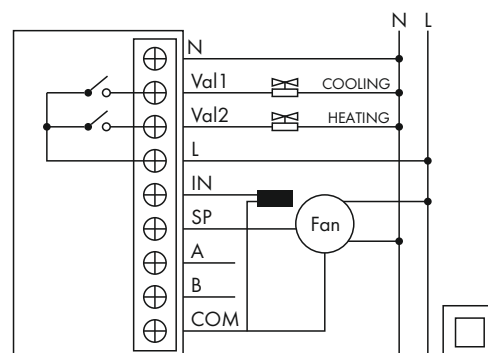




WIRING DIAGRAM



Power supply: **85 - 250V 50/60Hz**  
 Working temperature: **0°C - 45°C**

Thermostat is designed to control the ARWE, A3RWE and AREX fan speed controllers and the EC motors using a 0-10VDC signal. It has the option of 4-zone 7-day programming, which allows to set the desired temperature in 4 different time zones for each day of the week separately. In addition, thermostat has the ability to automatically turn on and off at a specified time. The choice of one of 4 operating modes allows to use the device in heating, cooling, ventilation or mixed systems. The system is equipped with contacts controlling hot and cold water valves. In the event of power interruptions, the thermostat switches on automatically (auto-restart). PST5EC has the ability to set settings using the MODBUS protocol. An additional input allows the connection of an external NTC (100k) temperature sensor. The device also allows measuring and displaying the fan speed in case the fan is equipped with an impulse output. The thermostat has great reconfiguration options, which allows it to be used in various cooling and heating installations. Device dimensions: 86x86x15,8 mm (H x W x D).

The PST5EC thermostat is:

- Elegant look
- Touchpad
- 0-10VDC output signal
- Touch control or MODBUS protocol
- Possibility to connect an external NTC (100k) temperature sensor
- Configuration of valve relays operation
- Possibility of 7-day programming in 4 zones for each day