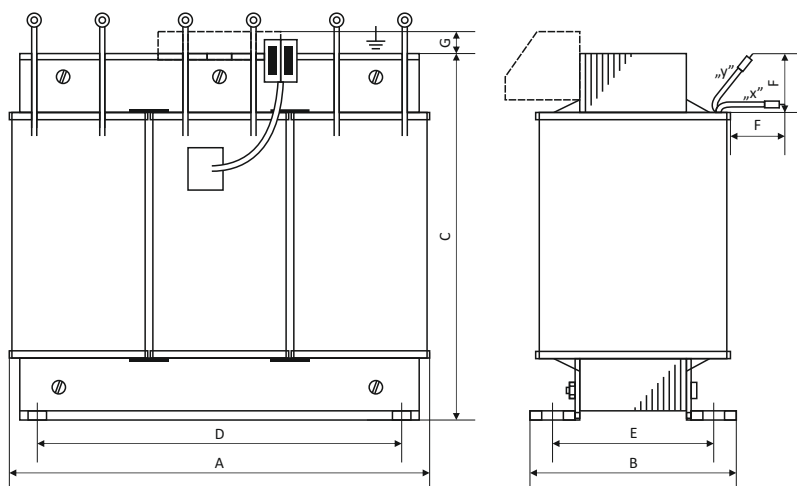


Working voltage: **400V 50Hz**  
 Insulation test voltage: **3000V 50Hz**  
 Overload capacity (thermal): **1,1In**  
 Magnetic linearity  $k_{LIN}=I_{LIN}/I_N$ : **1,15**  
 Capacitive battery voltage: **440V**

Type	Current	Inductance	Battery power	Dimensions [mm]							Mounting	Weight [kg]
	[A]	[mH]	[kVar]	A	B	C	D	E	F	G		
D3F 2,5/7/440 3,2A/17,25mH 400V	3,2	17,25	2,5	125	62	127	100	46	-	15	Φ5	1,90
D3F 5/7/440 6,4A/8,63mH 400V	6,4	8,63	5	155	77	152	130	56	-	15	8 x 12	2,90
D3F 6,25/7/440 8,1A/6,9mH 400V	8,1	6,9	6,25	155	77	152	130	56	-	15	8 x 12	3,90
D3F 7,5/7/440 9,6A/5,75mH 400V	9,6	5,75	7,5	155	77	152	130	56	-	15	8 x 12	3,90
D3F 10/7/440 12,8A/4,31mH 400V	12,8	4,31	10	155	92	152	130	71	-	15	8 x 12	4,20
D3F 12,5/7/440 16,2A/3,45mH 400V	16,2	3,45	12,5	190	92	178	170	68	-	15	8 x 12	6,30
D3F 15/7/440 19,2A/2,89mH 400V	19,2	2,89	15	190	102	178	170	78	-	15	8 x 12	7,50
D3F 20/7/440 25,7A/2,16mH 400V	25,7	2,16	20	210	98	185	175	78	-	15	9 x 13	9,00
D3F 25/7/440 32,1A/1,73mH 400V	32,1	1,73	25	210	105	185	175	78	60	-	9 x 13	10,70
D3F 30/7/440 38,5A/1,44mH 400V	38,5	1,44	30	240	98	210	185	75	60	-	10 x 18	12,70
D3F 40/7/440 51,3A/1,08mH 400V	51,3	1,08	40	240	118	210	185	95	60	-	10 x 18	18,80
D3F 50/7/440 64,1A/0,86mH 400V	64,1	0,86	50	240	132	210	185	109	60	-	10 x 18	21,90
D3F 60/7/440 77,0A/0,72mH 400V	77	0,72	60	264	132	230	200	132	60	-	10 x 18	28,90
D3F 75/7/440 96,2A/0,58mH 400V	96,2	0,58	75	300	135	260	224	104	60	-	10 x 18	31,00
D3F 100/7/440 128A/0,43mH 400V	128	0,43	100	300	162	260	224	131	60	-	10 x 18	43,00

Filter chokes used in reactive power compensation systems. Capacitors and chokes form resonance systems which limit harmonic currents and protect the batteries against overload. Chokes consist of magnetic cores 3UI with gap separators, copper winding, fastening elements and electric clamps. Vacuum impregnation provides high mechanical strength and climatic

resistance. Chokes have an automatic temperature sensors (150°C) to control the shut-off system in case of overload and overheating of winding. Protection grade IP00, maximum ambient temperature 40°C, thermal class of insulation F (155°C). Manufactured in compliance with EN61558-2-20.



Working voltage: **400V 50Hz**  
 Insulation test voltage: **3000V 50Hz**  
 Overload capacity (thermal): **1,1In**  
 Magnetic linearity  $k_{LIN}=I_{LIN}/I_N$ : **1,15**  
 Capacitive battery voltage: **440V**

Type	Current	Inductance	Battery power	Dimensions [mm]							Mounting	Weight [kg]
	[A]	[mH]	[kVar]	A	B	C	D	E	F	G		
<b>D3F 1,0/14/440 1,4A/86,32mH 400V</b>	1,4	86,32	1	125	62	127	100	46	-	15	Φ5	1,90
<b>D3F 1,5/14/440 2,1A/57,55mH 400V</b>	2,1	57,55	1,5	125	62	127	100	46	-	15	Φ5	1,90
<b>D3F 2,5/14/440 3,4A/34,53mH 400V</b>	3,4	34,53	2,5	155	77	152	130	56	-	15	8 x 12	2,90
<b>D3F 5/14/440 6,9A/17,26mH 400V</b>	6,9	17,26	5	190	81	178	170	57	-	15	8 x 12	6,30
<b>D3F 10/14/440 13,8A/8,63mH 400V</b>	13,8	8,63	10	210	98	185	175	78	-	15	9 x 13	9,00
<b>D3F 20/14/440 27,7A/4,31mH 400V</b>	27,7	4,31	20	240	107	210	185	85	60	-	10 x 18	20,0
<b>D3F 30/14/440 41,6A/2,87mH 400V</b>	41,6	2,87	30	240	132	210	185	109	60	-	10 x 18	21,9
<b>D3F 40/14/440 55,5A/2,15mH 400V</b>	55,5	2,15	40	300	135	260	224	104	60	-	10 x 18	31,0
<b>D3F 50/14/440 69,4A/1,72mH 400V</b>	69,4	1,72	50	300	135	260	224	104	60	-	10 x 18	32,0

Filter chokes used in reactive power compensation systems. Capacitors and chokes form resonance systems which limit harmonic currents and protect the batteries against overload. Chokes consist of magnetic cores 3UI with gap separators, copper winding, fastening elements and electric clamps. Vacuum impregnation provides high mechanical strength and climatic resistance. Chokes have an automatic temperature sensors (150°C) to control the shut-off system in case of overload and

overheating of winding. Protection grade IP00, maximum ambient temperature 40°C, thermal class of insulation F (155°C). Manufactured in compliance with EN61558-2-20.