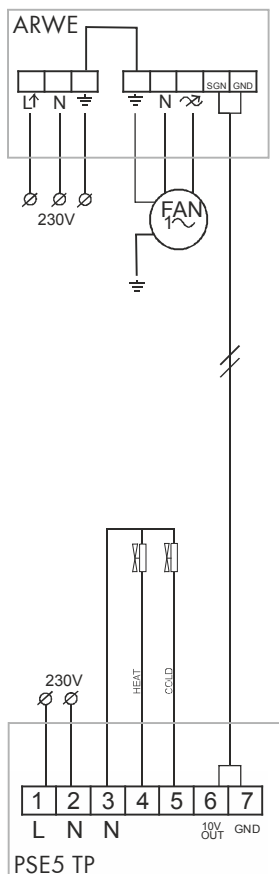


ARWE is a fan speed regulator dedicated for controlling single-phase AC motors in ventilation and heating systems by 0-10 VDC input signal and for operating in tandem with ZSE5 S and PSE5 TP controller.

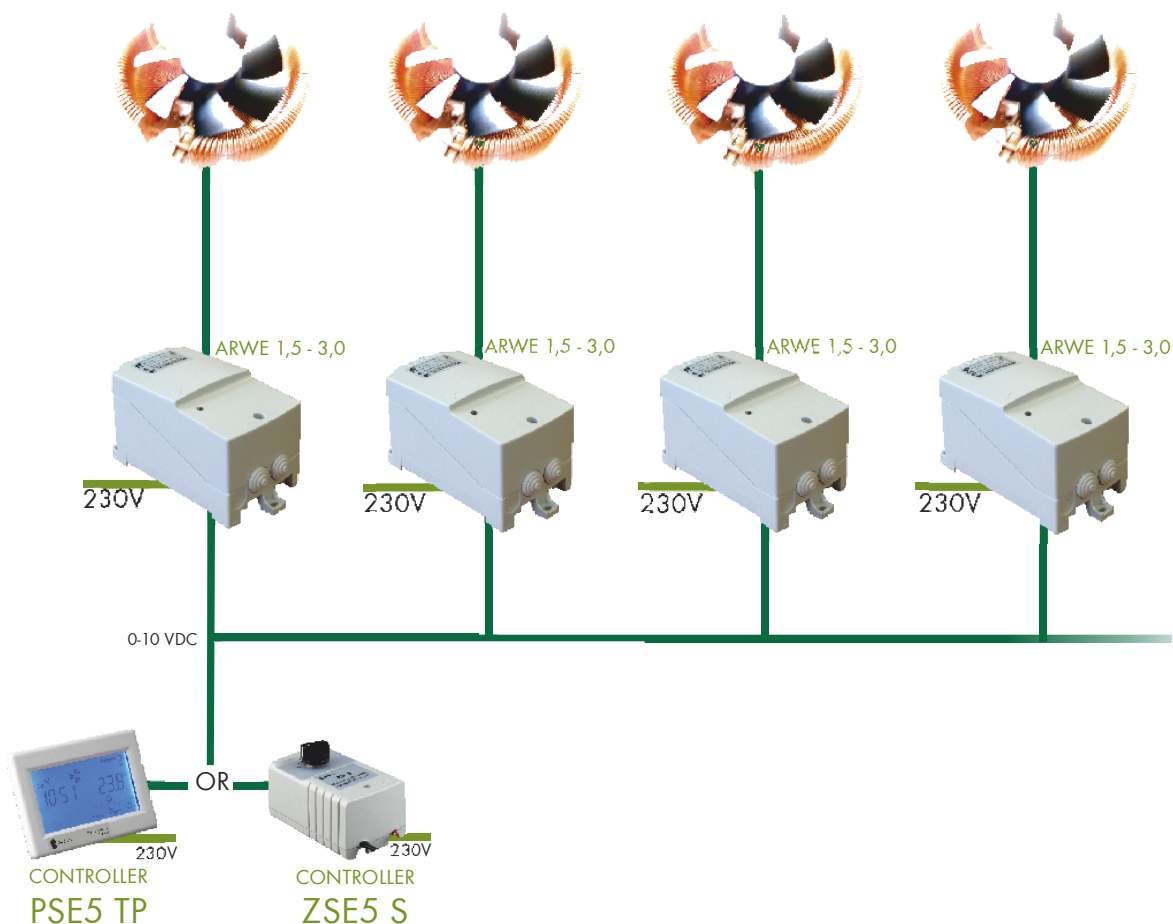
PSE5 TP controller is distinguished by its modern design, ergonomic touch screen and many available options. PSE5 TP is equipped with thermostat and two programs (7-day and 5+2 for week days and weekend) that enable precise temperature setting, according to client's needs. PSE5 TP and ZSE5 S controllers offer manual, 5-step regulation of a single or a group of ventilators and heaters.

The ARWE regulator provides a 5-step output voltage regulation due to 0-10 VDC input signal. A PCB power-electronic module measures external signal and switches on a relay on particular autotransformers tap according to signals level. ARWE is equipped with an internal control unit that prevents the device from switching on two relays in the same time (anti-short circuit system). The ARWE regulators are made with Class II insulation and protection grade IP54 for maximum ambient temperature 40°C. Thermal class of insulation: B(130°C). ARWE are manufactured in compliance with EN 61558-2-13.

CONNECTION CHART



VENTILATION AND HEATING SYSTEMS
CONNECTION TO ONE OR TO THE SYSTEM
OF FAN SPEED REGULATORS





ARWE is a fan speed regulator dedicated for controlling single-phase AC motors in ventilation and heating systems by 0-10 VDC input signal and for operating in tandem with ZSE5 S and PSE5 TP controllers.

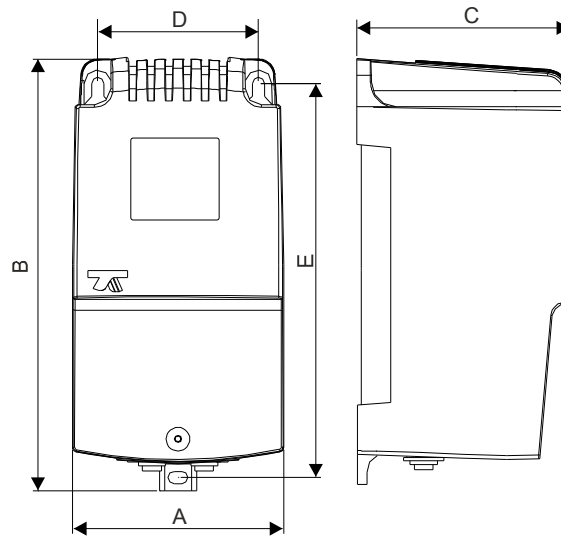


The ARWE regulator provides a 5-step output voltage regulation due to 0-10 VDC input signal. A PCB power-electronic module measures external signal and switches on a relay on particular autotransformers tap according to signals level. ARWE is equipped with an internal control unit that prevents the device from switching on two relays in the same time (anti-short circuit system). The ARWE regulators are made with Class II insulation and protection grade IP54 for maximum ambient temperature 40°C. Thermal class of insulation: B(130°C). ARWE are manufactured in compliance with EN 61558-2-13.

Power supply: 230VAC 50Hz

Current output: 1,5; 2,0; 3,0 A

Control: automatic, 0-10VDC signal



| Type | Article number | U pri [V] | Current [A] | Dimensions [mm] | | | Mounting | Weight [kg] |
|----------------------|----------------|-----------|-------------|-----------------|----------|--|----------|-------------|
| | | | | A x B x C | D x E | | | |
| ARWE 1,5/1-A IP54 BR | 17886-9942 | 230 | 1,5 | 90 x 175 x 95 | 71 x 157 | | M4 | 1,5 |
| ARWE 2,0/1-A IP54 BR | 17886-9934 | 230 | 2,0 | 90 x 175 x 95 | 71 x 157 | | M4 | 2,3 |
| ARWE 3,0/1-A IP54 BR | 17886-9946 | 230 | 3,0 | 90 x 175 x 95 | 71 x 157 | | M4 | 2,5 |
| Controller ZSE 5 S | 18986-9999 | | | | | | | |
| Controller PSE 5 TP | 18986-9998 | | | | | | | |

As a result of constant development of product construction and changes concerning technical requirements, Breve Tufvassons reserves the right to change the parameters mentioned above.